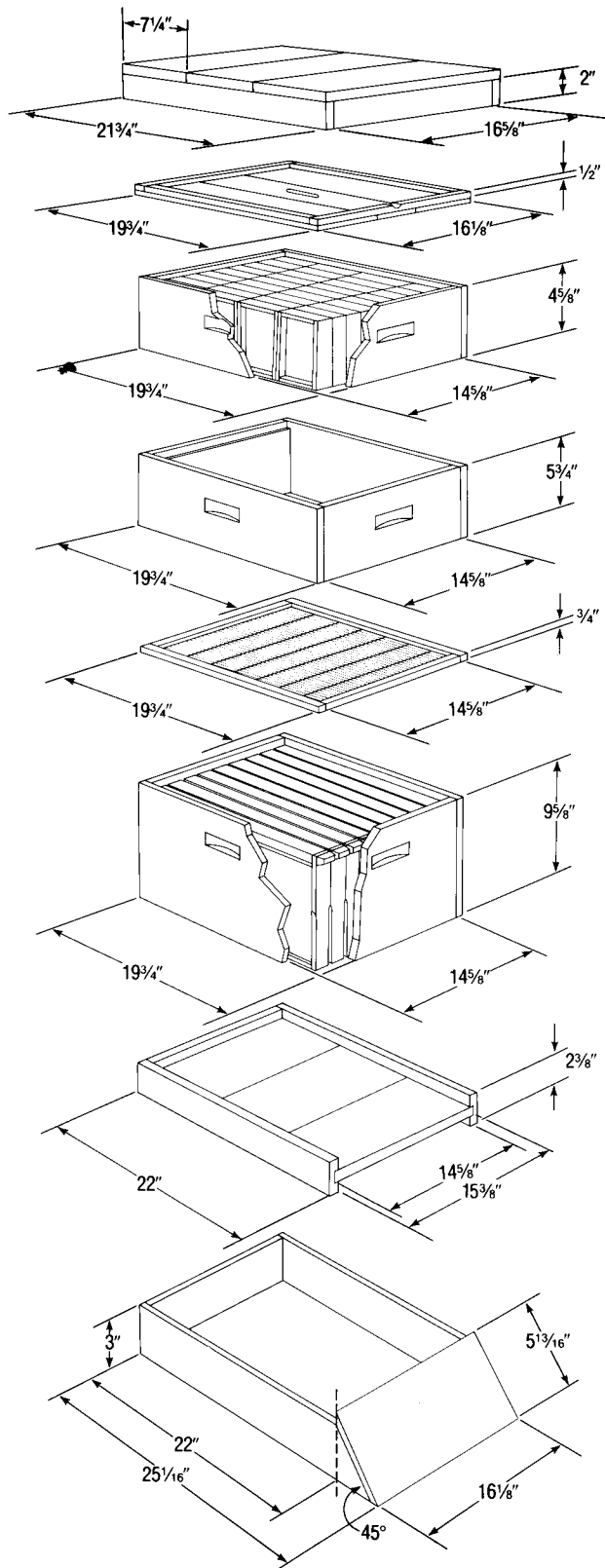


Figure 4. Equipment and dimensions for a standard Langstroth hive.



Outer Telescoping Cover

- 3 pieces $7\frac{1}{4}'' \times \frac{3}{4}'' \times 18\frac{1}{8}''$ (top)
- 2 pieces $21\frac{3}{4}'' \times \frac{3}{4}'' \times 2''$ (sides)
- 2 pieces $16\frac{5}{8}'' \times \frac{3}{4}'' \times 2''$ (ends)

Inner Cover

- 2 pieces $\frac{1}{2}'' \times \frac{3}{4}'' \times 16\frac{1}{8}''$
- 2 pieces $\frac{1}{2}'' \times \frac{3}{4}'' \times 18\frac{1}{4}''$
- 2 pieces $6'' \times \frac{3}{8}'' \times 19\frac{3}{4}''$
- 1 piece $4\frac{1}{8}'' \times \frac{3}{8}'' \times 19\frac{3}{4}''$

Section Comb Super

- 2 pieces $19\frac{3}{4}'' \times \frac{3}{4}'' \times 4\frac{5}{8}''$ (sides)
- 2 pieces $14\frac{5}{8}'' \times \frac{3}{4}'' \times 4\frac{5}{8}''$ (ends)

Shallow Extracting Super

- 2 pieces $19\frac{3}{4}'' \times \frac{3}{4}'' \times 5\frac{3}{4}''$ (sides)
- 2 pieces $14\frac{5}{8}'' \times \frac{3}{4}'' \times 5\frac{3}{4}''$ (ends)

Queen Excluder

- 2 pieces $19\frac{3}{4}'' \times \frac{3}{4}'' \times 5\frac{3}{4}''$ (sides)
- 2 pieces $14\frac{5}{8}'' \times \frac{3}{4}'' \times 5\frac{3}{4}''$ (ends)

Full Depth Hive Body

- 2 pieces $19\frac{3}{4}'' \times \frac{3}{4}'' \times 9\frac{5}{8}''$ (sides)
- 2 pieces $14\frac{5}{8}'' \times \frac{3}{4}'' \times 9\frac{5}{8}''$ (ends)

Bottom Board

- 3 pieces $7\frac{1}{8}'' \times \frac{3}{4}'' \times 15\frac{3}{8}''$ (floor)
- 2 pieces $2\frac{3}{8}'' \times \frac{3}{4}'' \times 22''$ (sides)
- 1 piece $2\frac{3}{8}'' \times \frac{3}{4}'' \times 14\frac{5}{8}''$ (end)

Hive Stand

- 1 piece $3'' \times \frac{3}{4}'' \times 14\frac{5}{8}''$ (back end)
- 2 pieces $3'' \times \frac{3}{4}'' \times 25\frac{1}{16}''$ (sides)
- 1 piece $5\frac{1}{16}'' \times \frac{3}{4}'' \times 16\frac{1}{8}''$ (front end)